

Sink Galante

Flush-mount | Top-mount

Kitchen Sinks

Code: 3780 000



DETAILS

Material AISI 304 stainless steel

Texture Brushed in line

Finish Foster brushed

Base 90 cm

Width 86 cm

Dimensions 860 x 520 mm

Bowl dimension 830 x 350 mm

Built-in hole [View technical data sheet](#)

Standard fittings Fixing hooks, gasket, drain, overflow and siphon, boxed packing

Mixer holes 1 standard hole - 2nd hole on request

Drainer No

Number of bowls 1 bowl

Waste fitting 3,5" drain

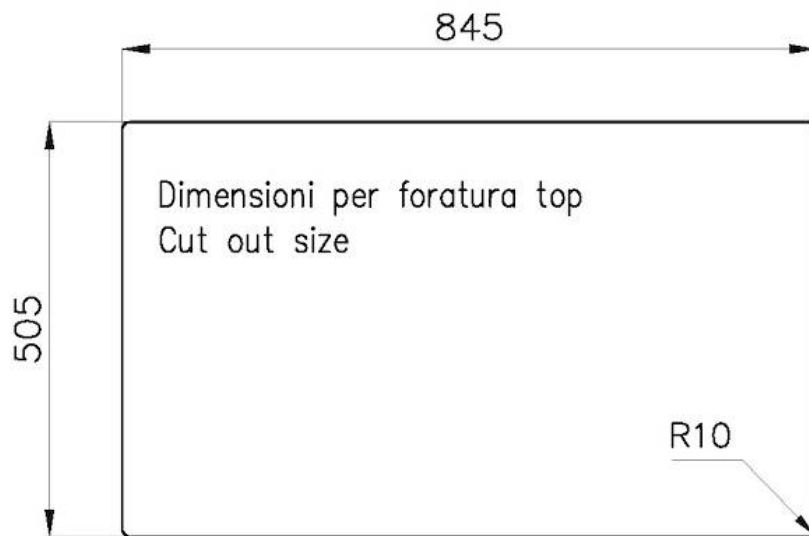
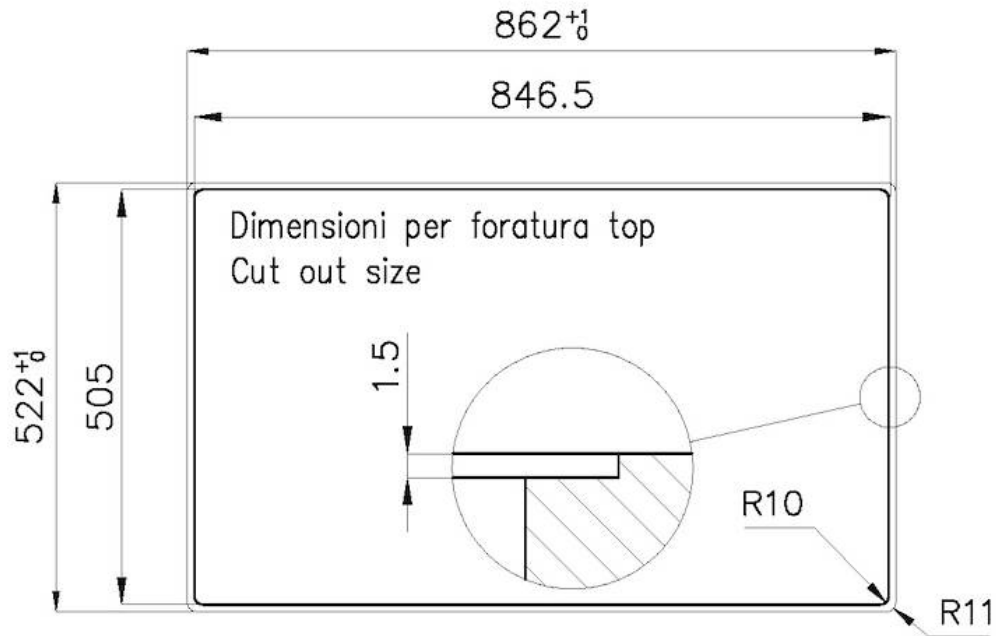
FEATURES

2nd / 3rd hole available The sink can be customized with the execution on request of additional holes, usable for double-hole mixers, for remote controlled drains or for the installation of soap dispensers. The positions are marked on the drawings with dotted line holes.

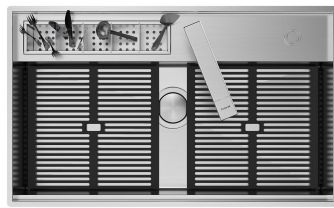
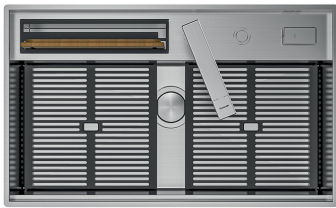
Basket 3,5" waste fitting The drain is equipped with a large 3.5" drain, with the practical basket cap that prevents the discharge of solid parts.

Deep bowls This bowls reach an important depth, over 20 cm, thanks to the advanced production technology, that can be offer great capiciency and practicity in all the washing operations.

TECHNICAL DATA



GALLERY



EQUIPMENT



Black grid
8100 618



Iroko-wood chopping board
8643 117

OPTIONAL ACCESSORIES



Stainless steel perforated tray
8151 004



Stainless steel plate rack
8100 305

RECOMMENDED PAIRINGS



Mixer Tap Arsenio
8471 000



Mixer Tap Eclipse
8499 000



Mixer Tap Flat
8478 001



Mixer Tap Margot
8524 000



Mixer Tap Margot satin
8524 100

OPTIONAL AUTOMATIC WASTE FITTINGS



Automatic waste fitting - PM
8407 113



Space automatic waste fitting - PA
8407 108



Space automatic waste fitting - PE
8407 109



**Space Light automatic waste fitting
- PL**
8407 117



**Space Push automatic waste fitting
- PP**
8407 116